

# COANDA

## Grit Classifier RoSF 3



Employing the COANDA effect for:

- Excellent grit capture rate on a small footprint
- Reduced organic content of the grit

Simple and reliable operation, low maintenance

Sturdy design for long life

Made of stainless steel, pickled in an acid bath



## ►► Features

Our COANDA Grit Classifier is a compact unit with a small footprint for reducing the organic content in the grit while providing excellent grit capture rate.

The classifier is fed with a mixture of grit, organics and water from a grit trap. A rotating flow is generated as this slurry enters into the conical tank through a vortex chamber. Air is injected into the vortex. Due to the COANDA effect – a flow adheres to the surface of a curved object – the flow is diverted along the curved inner surface of the COANDA tulip. A uniform, rotating, radial flow is thus generated. The water flows evenly in a thin layer towards a circumferential overflow weir.

The combination of three effects, namely the COANDA effect, the tea cup effect and aeration, guarantees excellent separation:

Organic matter is carried with the effluent over the weir and returned to the wastewater flow; the combined forces of gravity and inertia cause the grit to sink down to the bottom of the tank. The outstanding flow pattern guarantees over 95 % separation of 75 mesh grit particles (200 microns).

An inclined screw removes the settled grit from the bottom of the grit classifier. The grit is conveyed above the water level, and thus drained by gravity, and finally discharged into a container.

## ►► Benefits

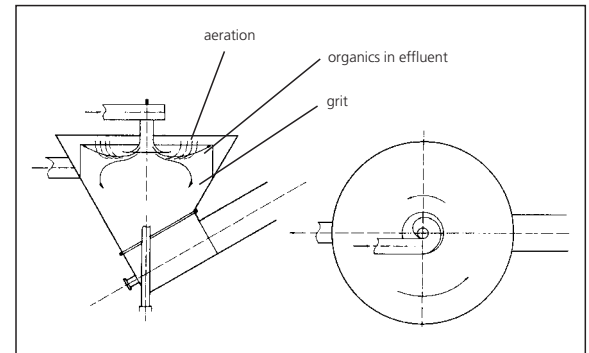
- Over 95 % capture rate of 75 mesh (200 micron) grit size
- Considerable reduction of organics in the grit
- Gravity drained grit product
- Small footprint
- Simple and reliable operation
- Low maintenance
- Sturdy design for long life
- Made of stainless steel,
- Pickled in an acid bath for perfect finishing and corrosion protection

## ►► A further step ahead with our COANDA Grit Washer RoSF 4

Grit from grit classifiers still contains a lot of organics and water. It is still a mushy and odorous waste.

Our COANDA Grit Washer RoSF 4 (**see separate brochure**) achieves the goal of less than 3 % organics and less than 10 % water in the grit product. Weight reduction and disposal cost savings by about 50 % will lead to quick pay back of your investment. Some use the clean grit as material for road bedding or as landfill cover.

**We have a great solution for virtually every grit problem.**



*Flow pattern in the COANDA Grit Classifier*



*COANDA Grit Classifier discharging into a dumpster*

HUBER TECHNOLOGY, Inc.

9805 NorthCross Center Ct.  
Suite H  
Huntersville, NC 28078

Phone: (704) 949 - 1010

Fax: (704) 949 - 1020

huber@hhusa.net

<http://www.huber-technology.com>

Subject to technical modification

COANDA  
Grit Classifier RoSF 3